

# COURTVISION

## LED SOLAR LIGHT

### Fixture Setup Instructions



# 80W



Please read and follow all instructions for operation.  
Save this manual for future reference.

### Working Modes

Operation Instructions for Single-sided  
Solar Street Light 40W / 80W / 120W



**BEFORE INSTALLING THE LIGHTS, READ THIS MANUAL.**

1. Determine the optimal angle to face the light fixture/solar panel. The optimal angle for the solar panel is your latitude and facing south. Then attach the light onto the pole.
2. Press and hold the Power Button button on the light for 3-5 seconds. The fixture will light up for 3 seconds and then turn off, which indicates that the light and remote control are successfully activated.
3. To turn the system completely off, press the Power Button button for 3-5 seconds again, and the light will flash 3 times and then turn off.

### FIXTURE LIGHTING OPTIONS

Press the button on the light to select the preferred working mode as shown below. The light bar will light up for 3 seconds then turns off when each button is pressed.

### REMOTE CONTROL FEATURES

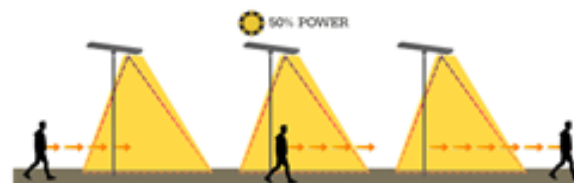


**Power Button**



**Constant Lighting Mode**

Automatically operates at 50% brightness from dusk to dawn or until power is off.



**Sensor Mode**

Automatically operates at 30% brightness. When motion is detected, light increases to 100% until no motion is detected, then returns to 30% brightness. Detection up to 50 feet.



**Smart Mode**

Automatically turns on at dusk and remains at up to 100% brightness for 4 hours, then it automatically turns to Sensor Mode.



## Specification

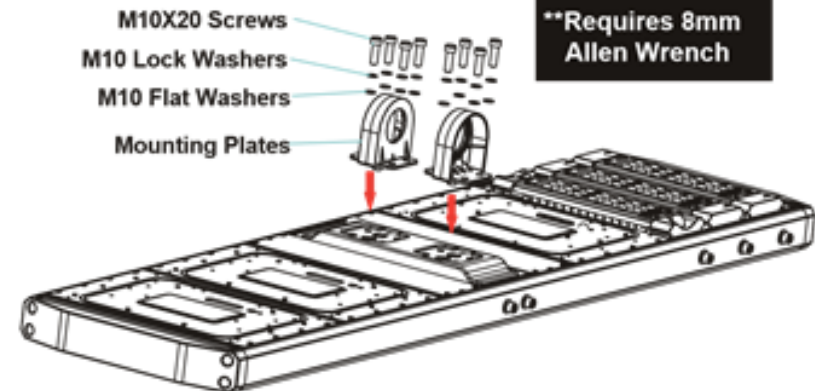
Power	40W	80W	120W
Lumen/LED Type	6000 Lumens (Phillips 5050)	12000 Lumens (Phillips 5050)	18000 Lumens (Phillips 5050s)
Battery	Li-ion battery, 22AH,11.1V/244.2Wh	Li-ion battery, 32AH,14.8V/473.6Wh	Li-ion battery, 48AH,14.8V/710.4Wh
Solar Panel	Mono-crystalline 32 Watt	Mono-crystalline 55 Watt	Mono-crystalline 82 Watt
Dimensions(mm)	711.0*386.2*244.0	1178.0*386.2*244.0	1616.0*386.2*244.0
Working Time	10-12 Hrs if fully charged, Alternate working modes and working times, ranges from 3 - 6 nights.		
Charging Time	Requires 6 hours of direct sunlight at optimal angle. Performance is reduced if directions aren't followed.		
Beam Angle	140x78°- Type III or Bat-Wing Style Light Distribution		
PIR Sensor	Detection angle: 150° Detection distance:<15 Meters / 50 Feet		
IP Class	IP65		
Working Temp	-4°F - 140°F / -20°C°- 60C°		
Storage Temp	-4°F - 140°F / -20°C°- 60C°		
Housing Material	Powder Coat Aluminum+ABS+PC		
Installation Height	10' - 15' or 3-5m	15' - 25' or 5-8m	15' - 25' or 5-8m
Installation Spacing	32' - 50' or 10-15m	50' - 82' or 15-25m	50' - 82' or 15-25m
Warranty	3 years		

## Installation

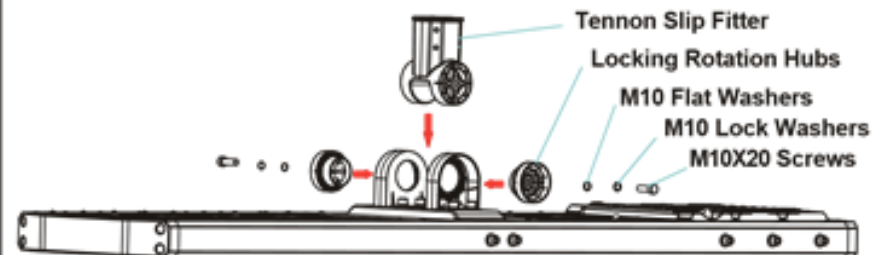
Please prepare tools and accessories before installation. Each box includes:

Solar Light	1pc	M10x20 Screws	14pcs	Mounting Plates	2pcs
Remote Control	1pc	M10 Lock Washers	10pcs	Tennon Slip Fitter	1pc
User Manual	1pc	M10 Flat Washers	10pcs	Locking Rotation Hubs	2pcs

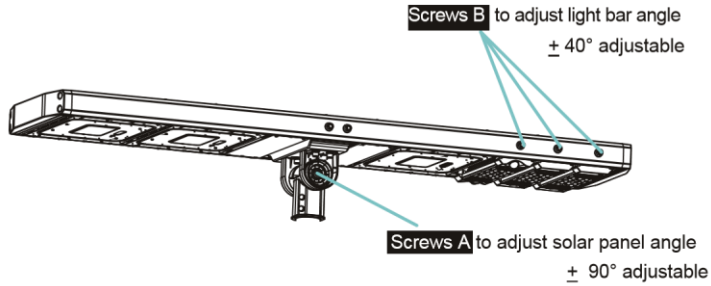
1. Install the Mounting Plates for the pole mount according to the arrows shown below. Attach the Mounting Plates to the fixture with the washers and screws listed below.



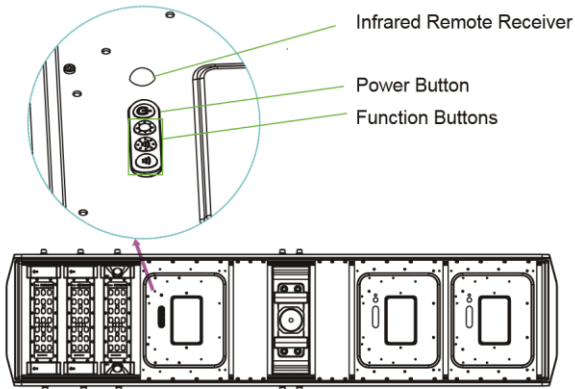
2. Slide the Tennon Slip Fitter into the Mounting Plates as shown, and insert the Locking Rotation Hubs into the sides of the Tennon Slip Fitter, then fasten them with the flat washers, lock washers, and screws.



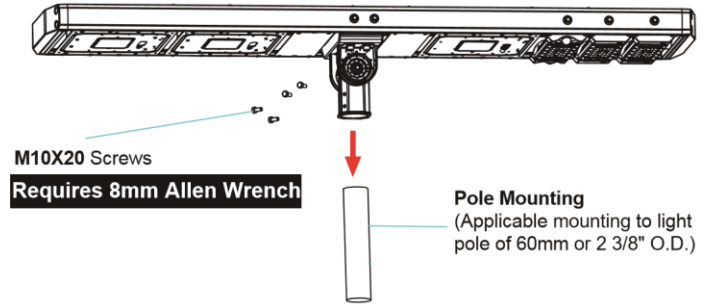
3. Loosen the solar panel screws (**Screws A**) and adjust the solar panel to the appropriate angle that captures the most sunlight and then tighten the screws back. Next, loosen the light bar screws (**Screws B**), adjust the light bar, then tighten the screws back.



4. According to the operation instructions, activate the light by pressing the power button for 5 seconds, then select the desired working mode, holding the button down for 5 seconds.



5. Place the Tennon Slip Fitter onto the light pole, and screw the M10X20 screws in tight.



## Special Notes

- Before installing the light onto the pole, **Press the power button on the light for 3-5 seconds to activate the light.**
- Adjust the solar panel and light bar(s) to the optimal angle, then install the light onto the pole. The optimal angle for the solar panel is your latitude and facing south.
- If the fixture does not light up after unpacking, it is usually because of insufficient battery power. Charge it for 1-2 days before installing it.
- It is recommended to install the light on a sunny day, so it can charge during the day prior to use without affecting the operation during the night.
- Install the light in a place with unobstructed, full sunlight to ensure it can be charged for 6 hours per day, which gives the light maximum working time.
- As this light is photosensitive, it will automatically light up at dusk. Please be aware that it will not light up during day time even it's turned on.
- In order to ensure the light is in optimal working condition, clean the solar panel regularly. We recommend cleaning at least once every six months.


## Warning

- The light is equipped with an internal battery pack which is replaceable. If you have any need to replace it, please contact Solar Lighting International, Inc. for a new battery pack.
- If the battery pack is taken out and put back in or replaced with new ones, re-activate the light & remote control by pressing Power Button button on the light for 3-5 seconds.
- Do not disassemble the light - **This will void your warranty.**
- Keep the light away from fire, oil or flammable materials to avoid explosion.

## Remote Control

Remote Control Distance:  $\leq$  35 Feet / 12 Meters


### TURNING THE LIGHT ON:

Press and hold the **Power Button**  for 3-5 seconds. The fixture will light up for 3 seconds then turn off, which indicates that the light and the remote control have been successfully activated.

### TURNING THE LIGHT OFF:

Press and hold the **Power Button** for 3-5 seconds to completely turn off the light and deactivate the remote control.

### SENSOR MODE

**Time and Brightness are NOT adjustable.**  
For the sensor mode, press the sensor mode button , the light will operate as follows:  
Automatically operates at 30% brightness. When motion is detected, light increases to 100% until no motion is detected, then returns to 30% brightness. Detects motion up to 50 feet.

### CONSTANT LIGHTING MODE:

**Time and Brightness are both adjustable.**  
For example:

1. Press Constant Lighting Mode Button 
2. Press Time 2H 
3. Press Brightness 80% 

The fixture will light up for 3 seconds then turn off each time the buttons above are pressed, which indicates it's set successfully as below:  
Light automatically turns on at night and keeps 80% brightness for 2hrs, then turns to Sensor Mode.

